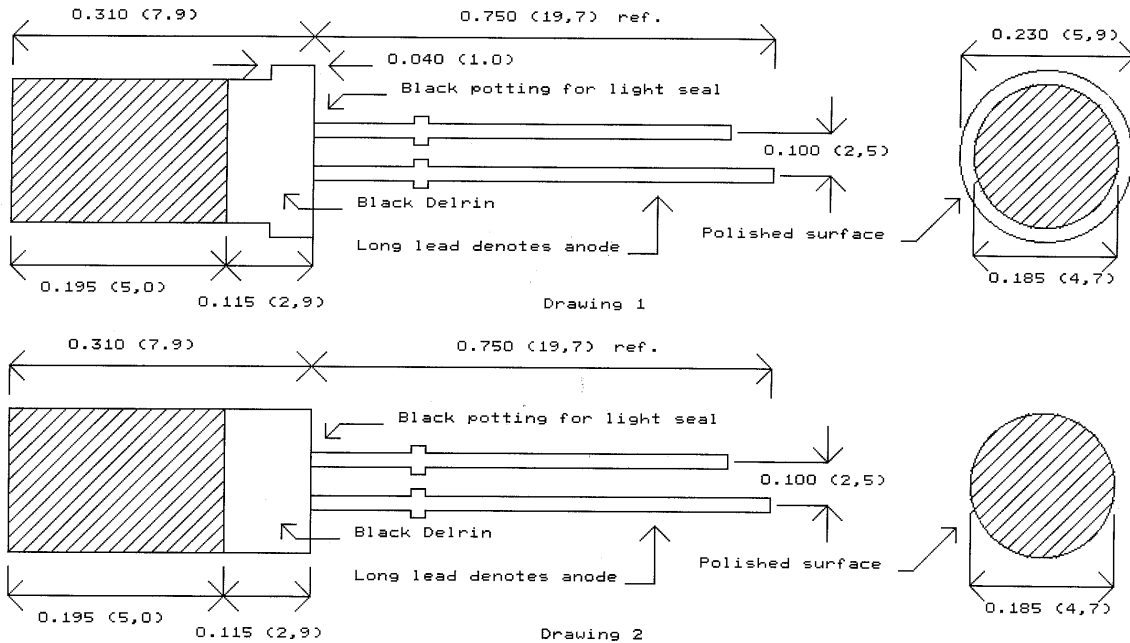




5 mm NVIS LED for NVIS Compatible Lighting

Technical Specification Revision C Page 1 of 2



Dimensions are in inches (mm). +/- 0.015 (0,4) tolerance. Not drawn to scale.

MAIN FEATURES

- Night vision imaging system (NVIS) display compatibility per MIL-L-85762A and MIL-STD-3009
- Dimensionally compatible with most standard 5 mm thru-hole LEDs
- 25° or 60° viewing angle

PART NUMBER	Color	Filter Type	NVIS Radiance
L-65196-314W-xxxx	NVIS Green A	65196	(NR)a <1.7e-10 @ 0.1 fl
L-65197-314W-xxxx	NVIS Green A	65197	(NR)a <1.7e-10 @ 0.1 fl
L-65648-314W-xxxx	White	65648	(NR)a <1.0e-09 @ 0.1 fl
L-65401-314W-xxxx*	Yellow Class A	65401	(NR)a <1.4e-07 @ 15 fl
L-65402-314W-xxxx*	Yellow Class B	65402	(NR)b <1.4e-07 @ 15 fl
L-65403-314W-xxxx*	Red Class B	65403	(NR)b <1.4e-07 @ 15 fl

*Top emitting only – opaque side walls.

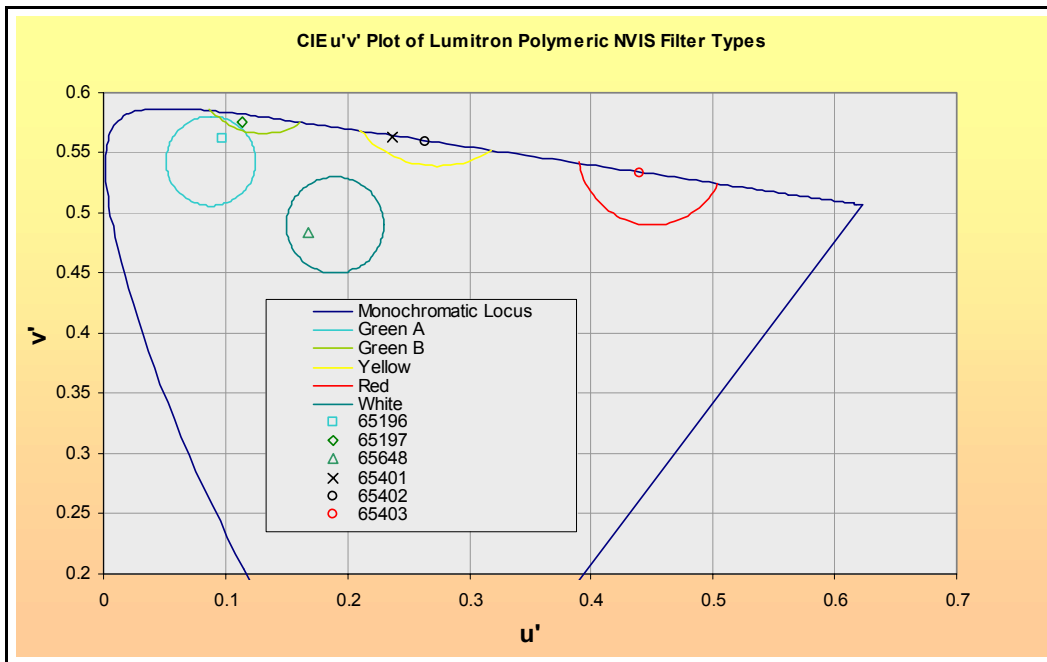


5 mm NVIS LED for NVIS Compatible Lighting

Technical Specification Revision C Page 2 of 2

Ordering Information: Drawing configuration and viewing angle are called out by adding the appropriate suffix code. Example: L-65196-314W-1025 is an NVIS Green A assembly with a 25° viewing angle and is constructed per drawing 1.

-xxxx	Drawing	Typical unfiltered mcd @ 20mA	Viewing Angle
1025	1	7800 - 15500	25°
2025	2	7800 - 15500	25°
1060	1	3850 - 7150	60°
2060	2	3850 - 7150	60°



Unfiltered LED Data

-xxxx	Chip		Lens Color	Wave Length (nm)	Absolute Maximum Ratings				Electro-Optical Characteristics						View Angle (deg)
	Raw Material	Emitted Color			nm	Pd mW	If mA	If (Peak)	Vf(V)			If (Rec)	Iv (mcd)		
									Min.	Typ.	Max.		Min.	Typ.	
1060/2060	InGaN	White	Water Clear	x - 0.31 y - 0.32	--		30	100		3.6	4.0	20	3850	7150	60
1025/2025	InGaN	White	Water Clear	x - 0.31 y - 0.32	--		30	100		3.6	4.0	20	7800	15500	25